

**DRILLED & TAPPED HOLES**  
(MARK ON DRAWING)

QUANTITY: \_\_\_\_\_

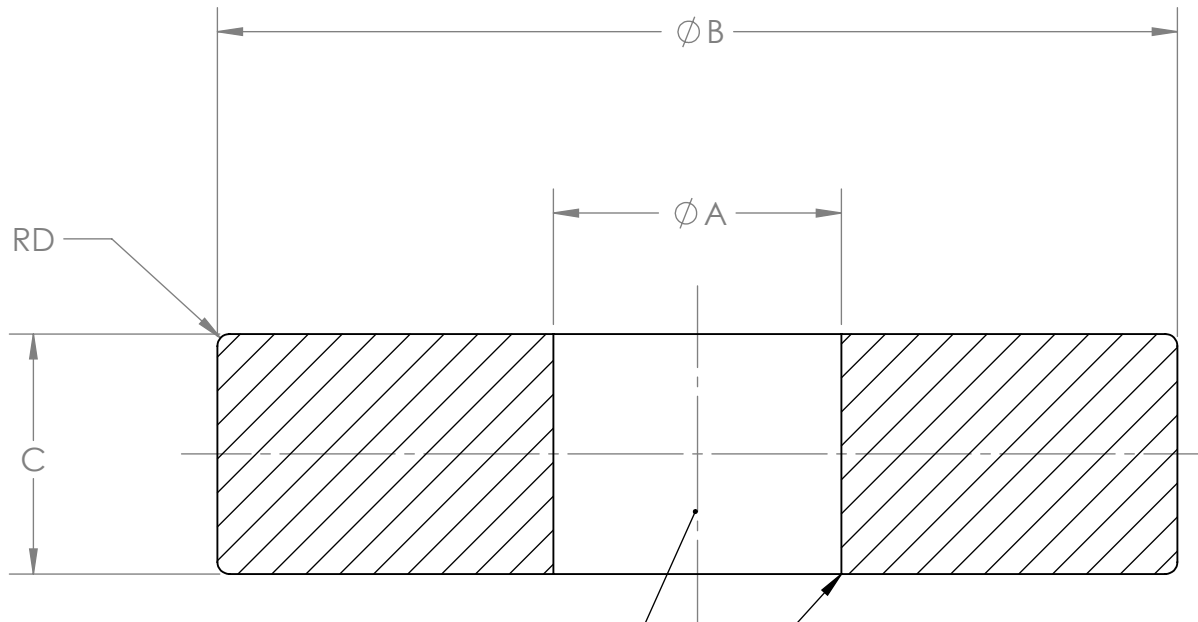
TAP: \_\_\_\_\_

BC: \_\_\_\_\_

**COUNTER BORE**  
(MARK ON DRAWING)

Ø: \_\_\_\_\_

DEPTH: \_\_\_\_\_



KEYWAY: \_\_\_\_\_

CHAMFER/RADIUS: \_\_\_\_\_  
 BOTH SIDES

A = \_\_\_\_\_

B = \_\_\_\_\_

C = \_\_\_\_\_

D = \_\_\_\_\_

STEEL GRADE: \_\_\_\_\_

QUANTITY: \_\_\_\_\_

HEAT TREAT REQUIREMENTS:  
\_\_\_\_\_

- CUSTOMER MAY REQUEST FEATURES AS NEEDED
- STANDARD TOLERANCES WILL BE APPLIED IF NOT SUPPLIED.
- ANY AREAS LEFT BLANK WILL BE FILLED WITH STANDARD SECTION DIMENSION.

**PROPRIETARY AND CONFIDENTIAL**

THE INFORMATION CONTAINED IN THIS DRAWING IS THE SOLE PROPERTY OF STANDARD FORGED PRODUCTS LLC. ANY REPRODUCTION IN PART OR AS A WHOLE WITHOUT THE WRITTEN PERMISSION OF STANDARD FORGED PRODUCTS LLC IS PROHIBITED.

	NAME	DATE	WHEEL DESCRIPTION:
DRAWN	ZRH	7/26/17	SAMPLE WHEEL - ROLLER DISK
CHECKED			TITLE: <b>Mckees Rocks Forgings</b>
ENG APPR.			<b>Mckees Rocks Pa.</b>
MFG APPR.			
Q.A.			
COMMENTS:			
SIZE	DWG. NO.	REV	
<b>A</b>			